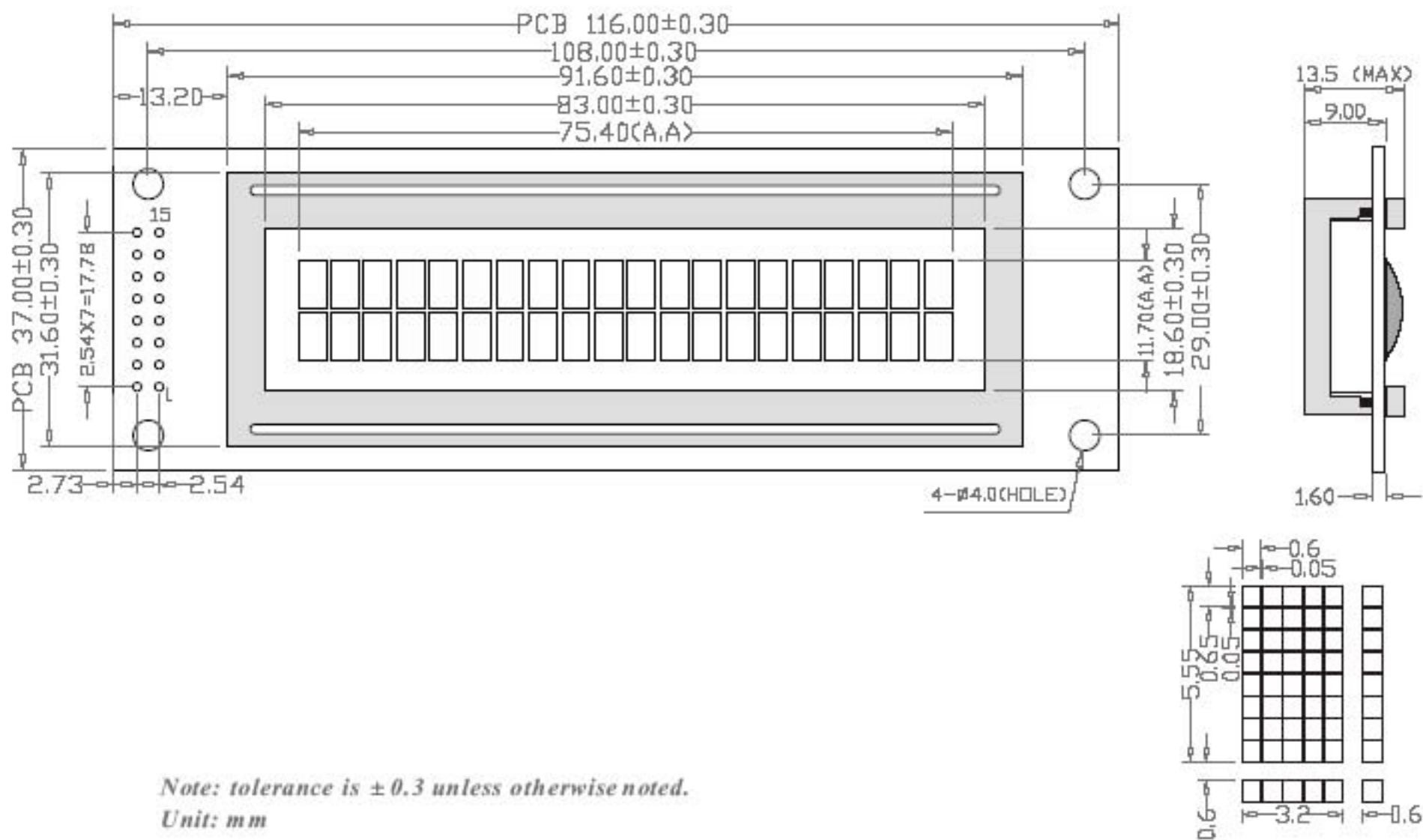


DIMENSIONS/DISPLAY CONTENT



PIN CONFIGURATION

1	2	3	4	5	6	7	8	9	10	11	12	13	14	15	16
VSS	VDD	Vo	RS	R/W	E	DB0	DB1	DB2	DB3	DB4	DB5	DB6	DB7	LEDK	LEDA

PARAMETER (VDD=5.0 ± 10%, VSS=0V, Ta=25°C)

Parameter	Symbol	Standard Values			Unit	
		Min.	Typ.	Max		
Supply voltage	VDD-VSS	4.5	5.0	5.5	V	
Input voltage	H	VIH	2.2	-		VDD
	L	VIL	-0.3	-		0.6
LCD Drive Voltage	-	-	4.7	-		
Operating current	IDD	-	1.2	3.0	mA	

APPLICATION CIRCUIT

